



Assembly Demonstration

Gamdias Multifunction PC Gaming Chair



APHRODITE MF1
Multifunction PC Gaming Chair

Package Contents



Tool

A x16

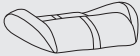
Base Support & Seat Back & Angle Adjuster Bolts

B x2

Black Screws for R/L Plastic Cover



Seat Back



Seat



Angle Adjuster (R)



Connector (L)



Head Pillow

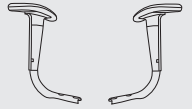


Lumbar Support Pillow

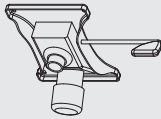


x5

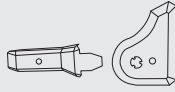
Casters



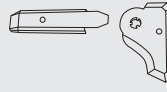
Armrest



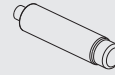
Mechanism Base Support



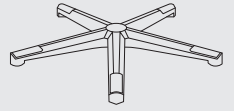
Plastic Cover (R)



Plastic Cover (L)



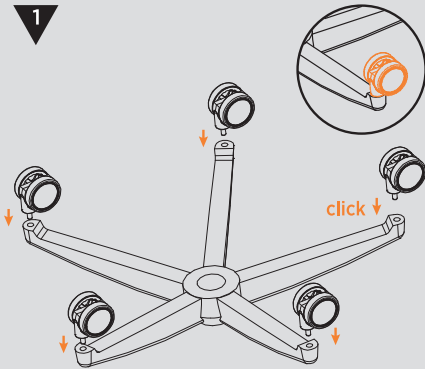
Gas Lift



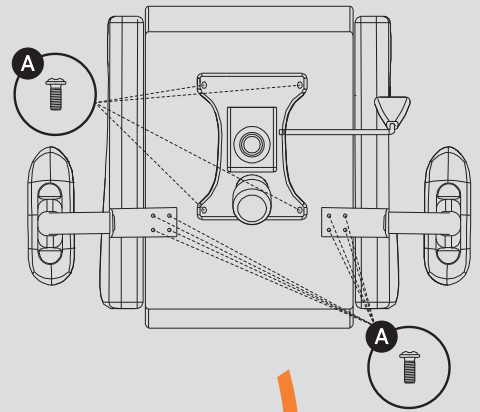
5 Star Base

Assembly Instruction

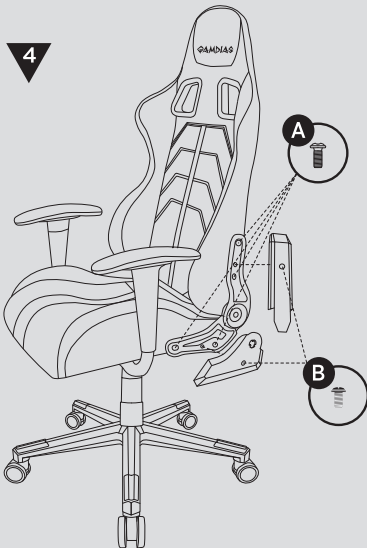
1



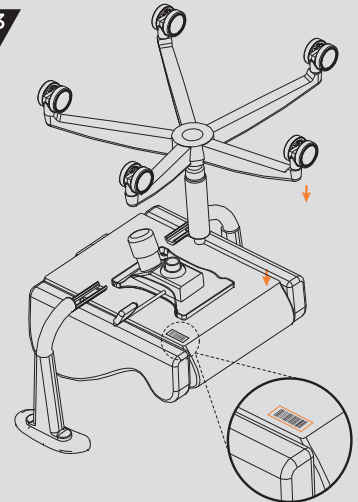
2



4



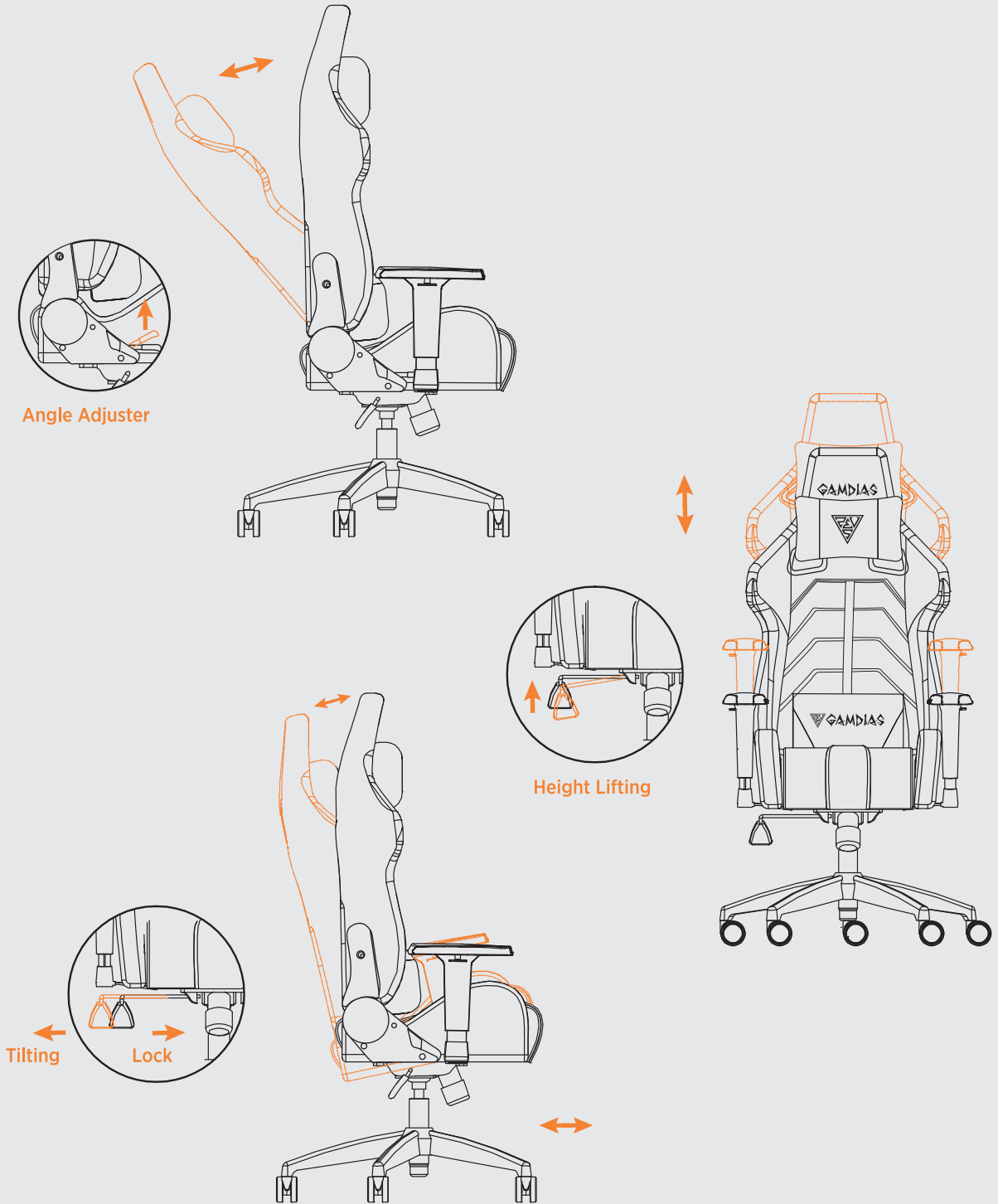
3



serial number

Please keep the **serial number** of your chair for service use when contacting us at gdservice@gamdias.com

FEATURE DEMONSTRATION



GAMDIAS Technology Co., Ltd. www.GAMDIAS.com
7F, No.113, Jian 2nd Rd., Jhonghe Dist., New Taipei City 23585, Taiwan (R.O.C.)

© 2018 GAMDIAS Technology Co., Ltd. All rights reserved. All GAMDIAS trademarks and logos are registered trademarks of GAMDIAS Technology Co., Ltd. All other trademarks and logos presented in this material are the property of their respective owners. GAMDIAS Technology Co., Ltd. reserves the right to revise the specifications mentioned on this packaging.

Designed by GAMDIAS in Taiwan, Made in China